




## Unpacking

Before the installation, please check and ensure that the following items are included in the shipped box:

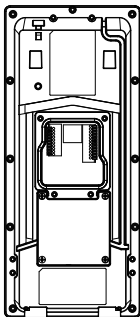
### Main Accessories :

 LTE module x 1  M2 x 4 machine screw x 2  SIM card extractor x 1

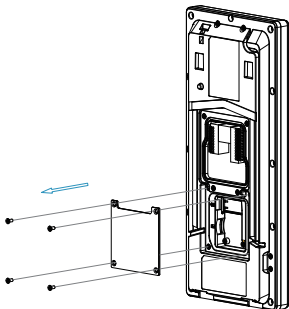
## LTE Module Installation

### Step 1: Remove Back Cover

1、 Take out E18/A07 Door phone.

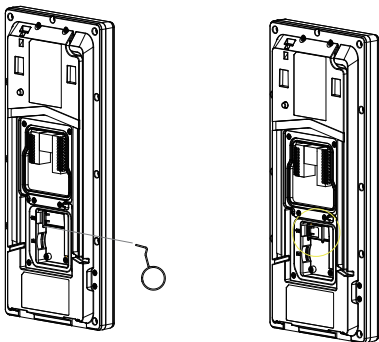


2、 Remove the the back cover of the device.

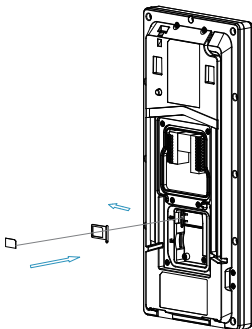


## Step 2: Install SIM Card

- 1、 Take out SIM card extractor, and insert it into the card tray hole properly to take out the card tray.

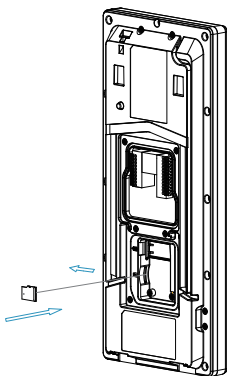


- 2、 Put the SIM card on the card tray and push it back to the card slot.

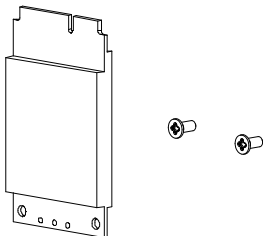


**Step 3: Install TF Card** (Note: Skip this step, if you do not need the TF card.)

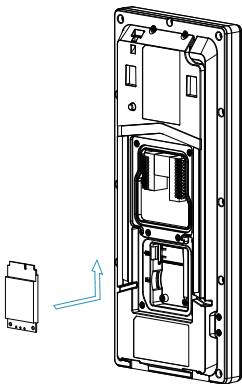
- 1、 Take out TF card and insert it into its corresponding slot on the device in the direction as indicated by the arrow.

**Step 4: Install LTE Module**

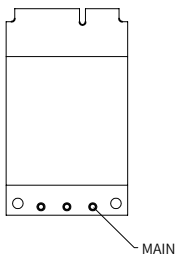
- 1、 Take out LTE module and the two M2 x 4 Machine screws.

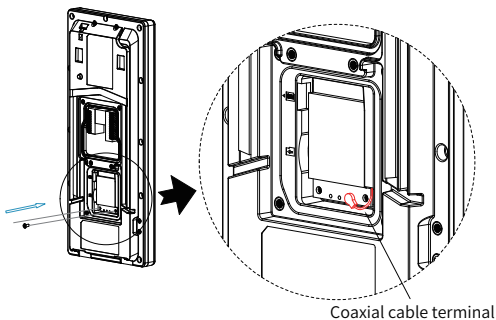


- 2、 Fit LTE module into the corresponding socket base with its “U” slot end facing towards the base and the other end with main terminal facing in opposite direction.



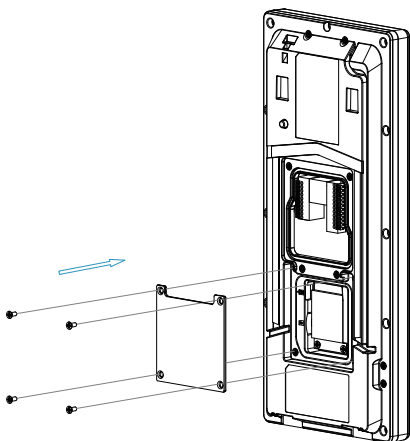
- 3、 Lock the LTE module onto the back cover using two M2 x 4 Machine screws, and press the Coaxial cable terminal into the socket marked with “MAIN” on the module.



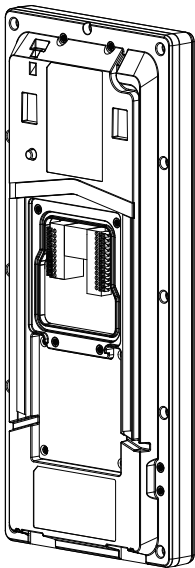


### Step 5: Lock the Back cover

1. Lock the back cover back onto its corresponding position.



## 2、Installation completed.



## Notice Information

Information contained in this document is believed to be accurate and reliable at the time of printing. This document is subject to change without notice, any update to this document can be viewed on Akuvox' s website: <http://www.akuvox.com> © Copyright 2021 Akuvox Ltd. All rights reserved.

